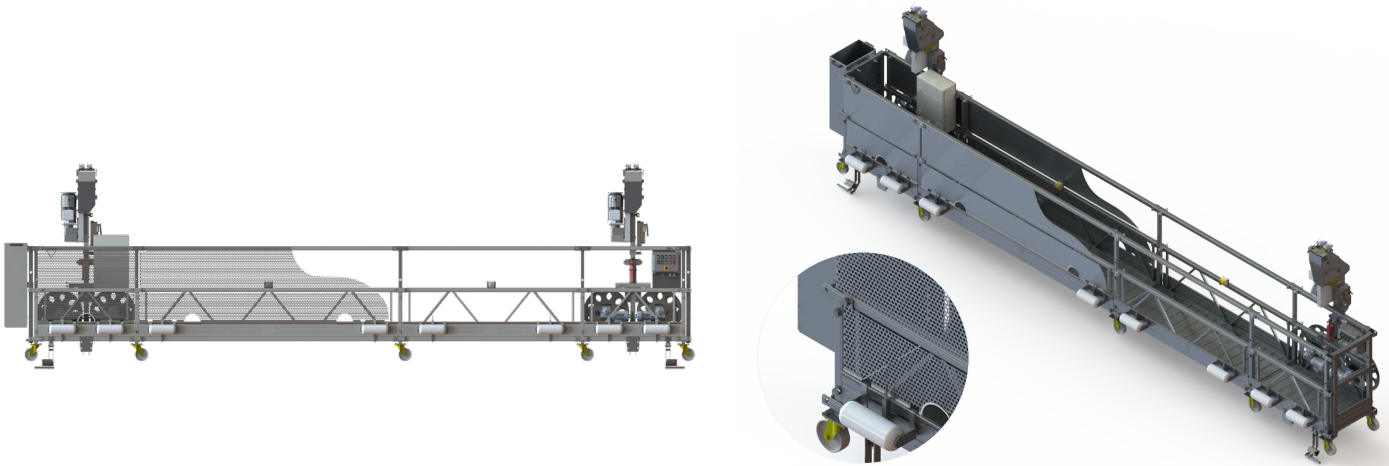


Modular Self Powered Platform



The CoxGomyl™ Modular Self Powered Platform is the ideal choice for safe and efficient facade access for up to three operators. The platform has been re-designed and constructed from lightweight aluminium in combination with perforated panels. It can be assembled to obtain the platform length required on site thanks to its safety pin system.

- The platform is equipped with a unique self-powered frame including a custom developed traction hoist.

- Designed with lengths from 2 to 12 meters using standard modules of 0.5m, 1m, 2m and 3m for multiple configurations.
- The platform is suitable for up to 3 operators, reaching a maximum drop of 150 meters.
- Fully manufactured in Europe and manufactured according to OSHA 1910.66 and ASME 120.1 standards.

		Module Configurations				Assembly Summary (m)	End Stirrup Weight* kg (lbs)	Pass-by Stirrup Weight* (kg)
		0.5m 1'65"	1m 3'3"	2m 6'6"	3m 9'9"			
Nominal length (m)	2		MS+1			1 + 1	391 (862)	429 (946)
	2.5	1	MS+1			1 + 1 + 0.5	429 (946)	467 (1030)
	3		MS+2			1 + 1 + 1	446 (983)	483 (1065)
	4			MS+1		2 + 2	434 (957)	472 (1040)
	4.5	1		MS+1		2 + 2 + 0.5	472 (1041)	509 (1122)
	5		1	MS+1		2 + 2 + 1	489 (1078)	526 (1160)
	6				MS+1	3 + 3	484 (1067)	500 (1102)
	6.5	1			MS+1	3 + 3 + 0.5	521 (1149)	537 (1184)
	7		1		MS+1	3 + 3 + 1	538 (1186)	554 (1221)
	8			1	MS+1	3 + 2 + 1	556 (1226)	572 (1261)
	9				MS+2	3 + 3 + 3	578 (1274)	594 (1310)
	10				MS+1	3 + 3 + 2 + 2	628 (1384)	646 (1424)
	11			1	MS+2	3 + 3 + 3 + 2	650 (1433)	666 (1468)
12				MS+3	3 + 3 + 3 + 3	672 (1482)	689 (1520)	

*Self-weight without steel wire rope and power supply cable. Add 1.35kg/m for ropes and cable

Modular Self Powered Platform

Standard Features

- Maximum load capacity - 500lbs (226kg) to 750lbs (340kg) depending on platform length
- End stirrup platform width 890 mm / Pass-by stirrup platform width 1010
- Pass-by stirrup platform width of 890 mm
- Available with end or pass-by stirrups
- Quick and simple assembly with one step 'insert and snap' quick pins
- Lightweight aluminium structure with robust steel hot dip galvanized self-powered frame
- CoxGomyl Self Powered Frame
 - Adaptable hot dip galvanized steel structure (end stirrup only)
 - Powered by CoxGomyl traction hoist with:
 - Electro-mechanical overload detection device
 - Mechanical service brake
 - "No Power" emergency descent
 - Thermal protection
 - Hour meter
 - Fall Arrest Device
 - Aluminium wire winder covered with unique plexiglass window to continuously check the proper ropes winding (only available for end stirrup design)
 - Suspension and safety rope Ø 8.4 mm (2 ropes per Traction Hoist)
- Safety harness point ANSI Z359.1 Capacity 22.2kN
- Anti-slip solid aluminum floor checkered plate 16 mm thickness
- 2 non marking wall shock absorber rollers (110mm Diameter and 300 length mm)
- Set of castor wheels for easy transportation in each module
- Bottom limit safety photocell
- Top limit switch
- Ultimate top limit switch
- Reinforced XL access hollows to allow an easy platform access
- Restraint system to connect the MSPP to fixed points in the building

Control Box

- IP-65 protection
- PLC (Programmable Logic Controller)
- ON Power light indicator
- Up/down turn button
- Hoist selector switch
- Emergency stop button
- Overload warning indicator
- Hour meter
- Bottom trip bypass button
- Main power switch (lockable)
- Low voltage 24Vdc control circuit
- MCB as main switch
- Thermal protection for traction hoist motor
- Inclination detector
- Main power plug with phase reversal
- Over speed safety device
- EU components

Optional Features

- Traction hoist cover to protect it during storage
- Extra wall shock absorber rollers
- Extensible upper wall shock absorber rollers
- Light weight water tank
- Cable storage bin
- Other special requirements

Key Features

- Compact design for easy transport
- Suitable for indoor and outdoor use
- PLC controller
- Light and robust design
- EU components

COXGOMYL and related logos are registered trademarks of Alimak Group AB (publ) and its subsidiaries ("Alimak Group"), in several jurisdictions, including but not limited to the EU and the United States. Alimak Group retains all rights in its name and for above mentioned trademarks, whether registered or not.